

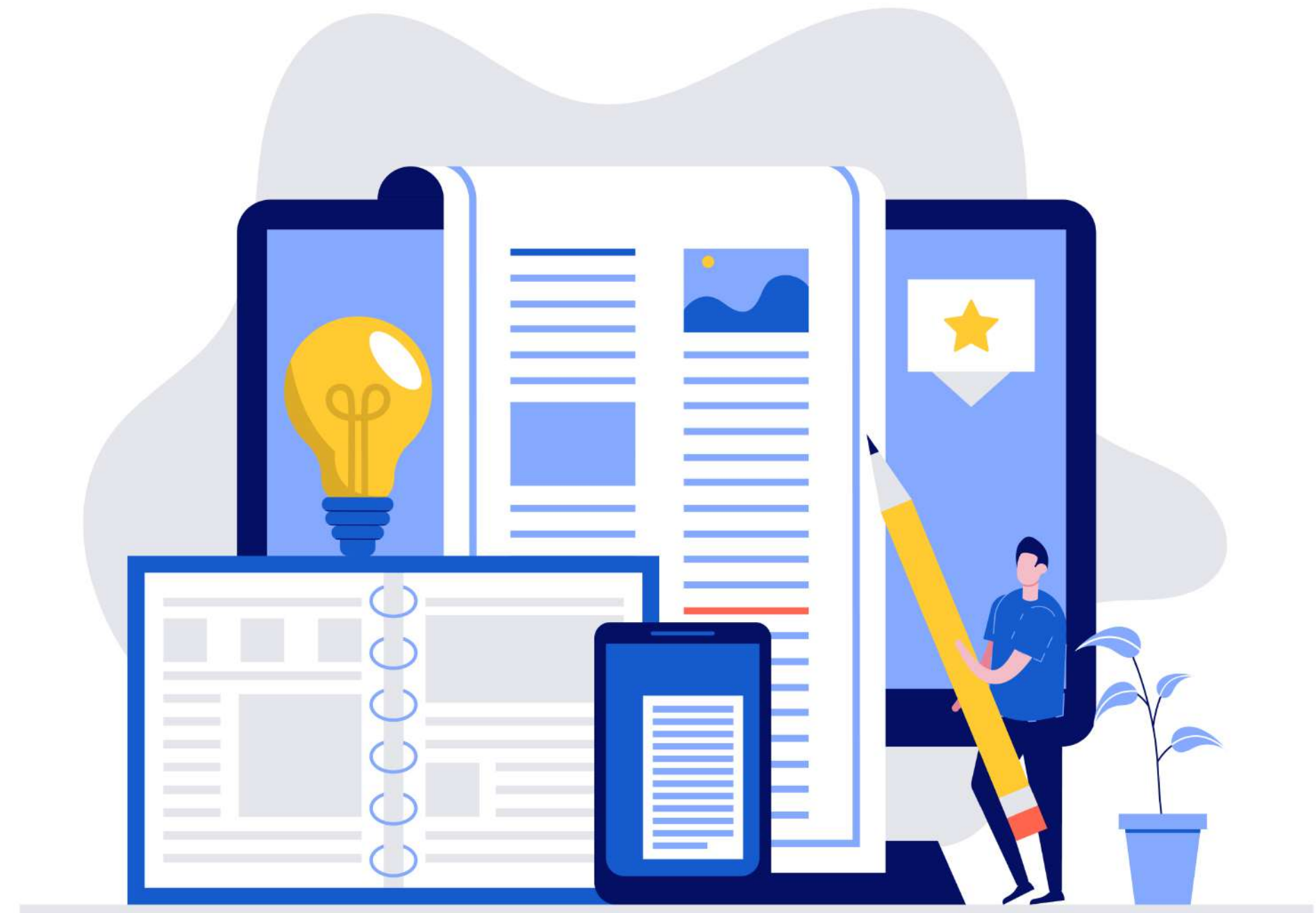
CASE STUDY

How we helped a **Publishing giant** adopt **Cloud Native** for a centralized integration platform



About the Customer

Scholastic Corporation, a global firm headquartered in New York, is the top publisher and distributor of children's books and educational resources worldwide.





Challenge

The geographical entities within Scholastic act independently on their IT initiatives. The Asia Pacific entity of the Scholastic Corporation has integrations with multiple 3rd-party SaaS applications to power its workflows. The application suite integrates with Oracle Netsuite to power its ERP workflows and with FreshSales to power its Sales and Marketing functions. The data exchange between these disjoint systems isn't coherent and thereby unreliable for the business.



Solution

Scholastic needed a unified solution to replace the legacy integrations. The plan is to design a system that drives all business integrations from a single platform that will make the app upkeep easier.

As the existing IT infrastructure of Scholastic Asia is already on AWS, Gleecus has implemented the integrated platform leveraging the service offerings of AWS.





Solution

★ AWS API Gateway

The API Gateway is used to provide a single endpoint for all the web and mobile touchpoints and help decouple Clients from various services used by the platform. API Gateway handles Caching, Authorization, and API keys to whitelist the Clients that can access the endpoint.

★ AWS Step Functions

These are used to coordinate the various steps that constitute the integration workflows on the platform. The Step functions are triggered whenever a request passes through the API Gateway.

★ AWS CloudFormation

This is used to manage the DevOps setup templates of the platform for easy orchestration.

★ AWS Lambda

These form the core compute services on the platform that are powered by the Serverless architecture and are triggered by the events configured in the API gateway and Event Bridge. Java Spring is used as the programming language to write code using Lambdas. Lambda functions offer built-in fault tolerance and scales based on incoming requests.

★ AWS EventBridge

This acts as an event-based orchestration service for the messages on the integration platform. The messages are sent and received by Lambda functions which are guided by the Step functions.



Solution

★ AWS RDS

This is used to persist transactional details of the integration platform workflows. The data includes original/transformed messages and successful/failed transactions which will eventually power the analytic dashboards to be used by the Business users. The inflight data (data that is in transit and isn't a success/failure yet) would be stored temporarily and would be purged from RDS to be archived on S3 for compliance reasons.

★ AWS Cloudwatch

All the AWS services used as part of the Solution - predominantly API gateway, Lambdas, and Step functions write the log and event entries to Cloudwatch.

★ AWS S3

S3 buckets are used to archive the rotate logs from Cloudwatch and stale inflight data from the RDS store after a specific period.

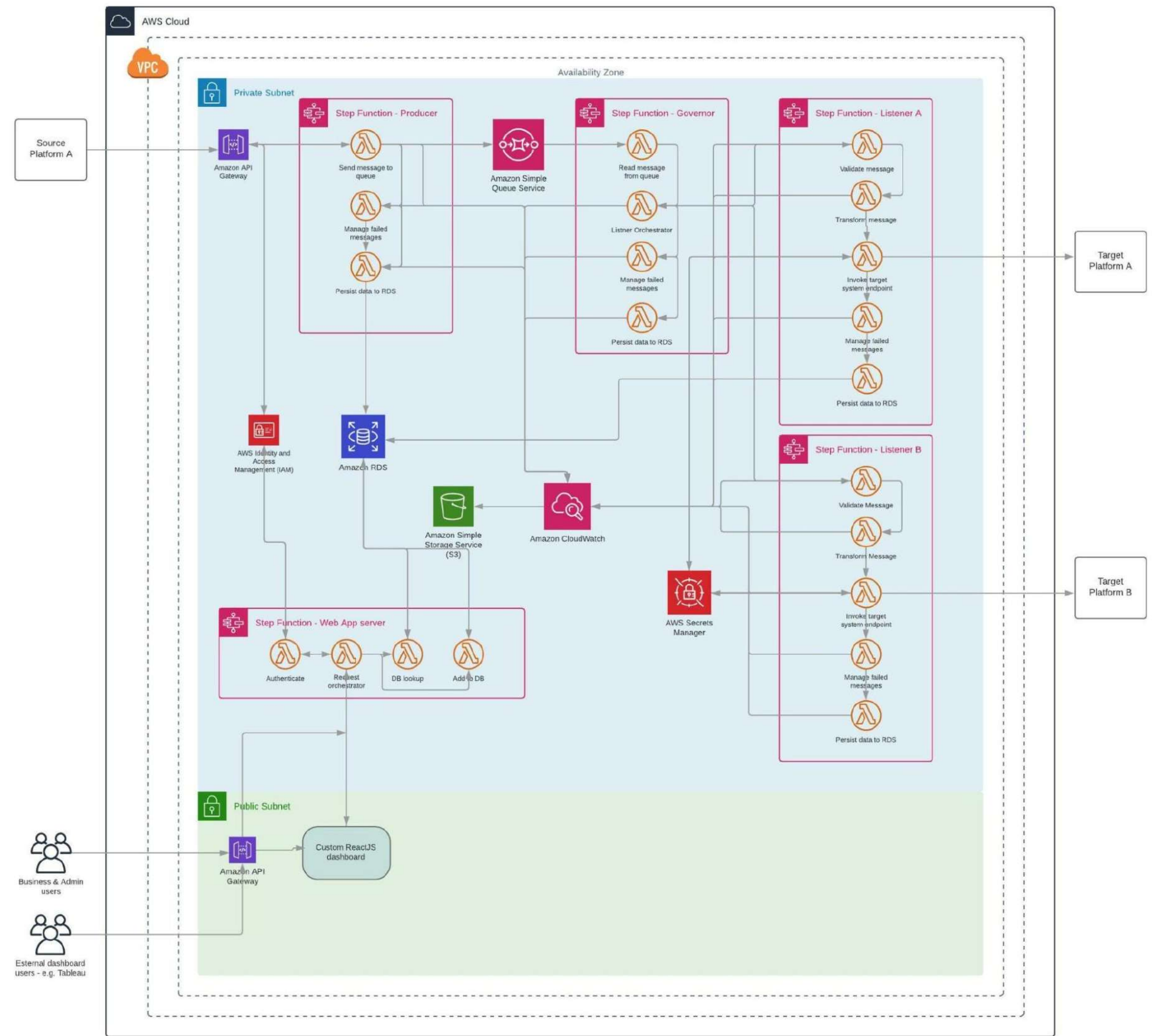
★ AWS Secrets Manager

Used to store and retrieve API keys and secrets that are used by the Lambda functions to send messages to the Target platforms.

★ AWS IAM

Used to manage the client whitelisting of Source platforms and handle authentication of the business users accessing the UI dashboard.

Architecture





Impact

The platform was launched in stages to cover all the IT integrations. After the platform was launched completely, Scholastic Asia has seen a **15% boost in sales** which was their highest annual growth since last decade.



Impressed by what you've seen?

**In need of a Digital Innovation Partner
that helps create real impact?**

Reach out to us at hello@gleecus.com
and let's craft brilliance together!

What is Gleecus?

Gleecus TechLabs Inc. (referred to as Gleecus) is a **Forward Thinking Digital Innovation Company** with deep focus areas on Cloud, Data, Product Engineering, AI and Talent.

Gleecus is one of the fastest growing IT innovation partner for Startups, SMEs and Enterprises globally.

We combine Strategy, Technology Expertise, User-Experience Prowess and LEAN Delivery Processes to help our customers and their products/solutions reach their business goals in time. Every time!

FORWARD THINKING is at the core of our business values, our consulting approach and our internal workforce. This also makes us the right choice for Enterprises on their path for Digital Transformation.



Thank you

Feel free to connect with us.

 www.gleecus.com

 hello@gleecus.com

Confidential Document.

© 2023-2024 Gleecus TechLabs Inc.